

# STAY OPEN RESTRICTOR

## STAY OPEN RESTRICTOR

STAY OPEN RESTRICTOR  
FOR USE WITH STERLING  
AND STORM COMMERCIAL  
HINGES

- Tested to BS 6375-2:2009 to load bearing capacity of safety devices
- Designed to prevent the window from closing past 'stay open' positions
- Designed to prevent the window opening past fully restricted position. Restricted opening is defined when fitting stay open restrictors
- Stay open position automatically selected on opening of window
- Compatible with Sterling and Storm Balanced 16", 22" and 26" hinges
- 12 year guarantee (details available upon request)

▼ **RELEASE MECHANISM**  
Release lever is reset when window is fully closed



▼ **WINDOW STOP**  
Crack stop in track prevents further opening of window



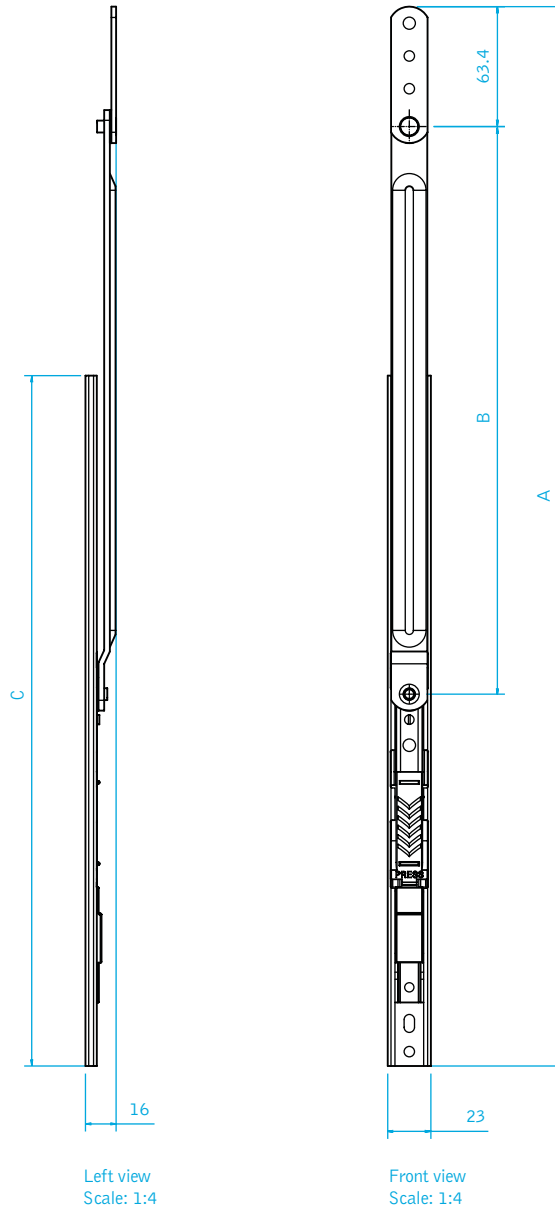
Austenitic (was 304) stainless steel to BS EN 10088/2 Grade 1.4301 for enhanced corrosion resistance.

# STAY OPEN RESTRICTOR

## Product Specification

### PRODUCT SPECIFICATION

- Easy to fit no routing required
- Non handed product
- Must be fitted in pairs
- Large fitting position tolerance on frame and vent
- Suitable for 16mm to 18mm cavity heights
- Available in three sizes to allow most opening angles to be achieved on vents from 900mm to 2500mm
- For detailed product specification and fitting instructions please refer to the technical manual



BSEN ISO9001:2008  
 Cert No Q05105

Due to our policy of continual improvement we reserve the right to alter specifications without notice. It is the responsibility of the window manufacturer to ensure that the finished window meets the required performance and safety specification.

All transactions are subject to our standard conditions of supply, which are available on request.

### STAY OPEN RESTRICTOR

Part Number	Description	Dim 'A' (in/mm)	Dim 'B' (in/mm)	Dim 'C' (in/mm)	Box Qty (pairs)
SOR150	150 Stay Open Restrictor Assembly	16/410	6/150	12/313	25
SOR300	300 Stay Open Restrictor Assembly	22/560	12/300	14/365	20
SOR400	400 Stay Open Restrictor Assembly	26/660	16/400	18/455	10